

TASKMASTER® INLINE

For Enclosed Pipe Systems

TASKMASTER® inline grinders employ a powerful twin-shaft mechanism and *Cutter Cartridge*® technology to reduce solids in pipeline systems. These versatile processors reduce rags, plastics, wood, tampons, sanitary napkins, sanitary wipes and more. They are invaluable in plant operations worldwide, keeping systems flowing, reducing pump downtime, and protecting dewatering equipment such as centrifuges, filter presses and more.

Operation

Two stacks of intermeshing cutters aggressively pull the solids in, reducing them to a fine size. These grinders can be installed in gravity or pressurized, vertical or horizontal pipe systems, on the suction or positive side of a pump.



Effective Twin-shaft Design | Cutter Cartridge® Technology | Reduce Pump Downtime
Reduces Wipes to Fine Particles | Highly Reliable Seal Design | Keep Pipelines Free Flowing

Cutter Cartridges



The TASKMASTER is provided with *Cutter Cartridge*® technology wherein six cutter disks and six spacer disks are replaced by a one-piece element for far greater strength, fewer components, no stack loosening or stack retightening.

Configurations

TASKMASTER inline grinders are available for 4" through 30" pipe sizes. These units feature severe duty mechanical seals, heat-treated hexagonal shafts and a direct, cycloidal gear drive. Each unit is supplied with an S260 Automatic Reversing Controller.

Available Styles

Drop-In: In this design, the grinder's entire working assembly can be lifted out of the pipe housing as one piece for fast and easy maintenance. **Tramp Trap:** (TT) This grinder features a built-in tramp trap to allow rocks and metal to settle out. **Optional:** Flange adapters are available for special sizes.

Tramp Trap (TT) Grinder

The TASKMASTER TT combines the powerful **TM8500** grinding capability with a pressure-rated tramp housing. This unit is designed for applications with occasional rocks and other heavy materials that can damage downstream equipment. The grinder assembly slides in and out of the collector housing for fast maintenance. The TT housing features a unique serpentine flow path which optimizes tramp collection efficiency. A gate valve provides fast unloading of collected tramp material into a bin or optional conveyor without manual lifting. The valve can be provided with an actuator for automatic tramp material unloading.

S260 Control System:

An S260 Control System monitors unit operation and automatically cycles the grinder in case of an overload condition. This industrial control panel is supplied complete with a NEMA 4X FRP enclosure and 100,000 hour life LED indicators.



Above: The TM8500TT grinder features a built-in tramp trap. Available with 4 inch to 12 inch flanges.

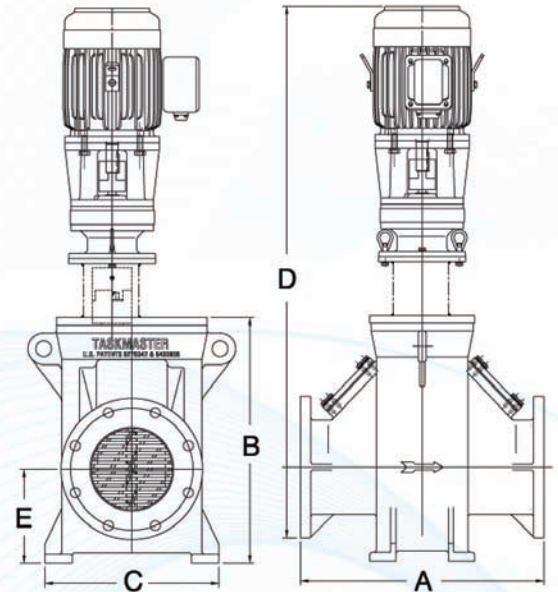
Right: Exploded view of the streamlined, high strength TM8500 with Cutter Cartridge® technology.

Dimensions

| Model No. | FLANGE | A | B | C | D | E | FLOW GPM (l/s) |
|-----------|-----------------|-----------------------|---------------------|---------------------|----------------------|--------------------|----------------|
| TM851204 | 4" (100 mm) | 19.25" (489 mm) | 24.375" (619 mm) | 16.625" (422 mm) | 54" (1372 mm) | 8.25" (209 mm) | 400 (25) |
| TM851206 | 6" (150 mm) | 21.25" (540 mm) | 23.375" (594 mm) | 16.625" (422 mm) | 53" (1346 mm) | 8" (203 mm) | 600 (38) |
| TM851208 | 8" (200 mm) | 23.25" (591 mm) | 23.5" (597 mm) | 16.625" (422 mm) | 52" (1321 mm) | 9" (229 mm) | 800 (50) |
| TM851610 | 10" (250 mm) | 23.25" (591 mm) | 27.375" (695 mm) | 17.25" (438 mm) | 56" (1422 mm) | 10" (254 mm) | 1000 (63) |
| TM852412 | 12" (300 mm) | 31.25" (793.75 mm) | 34.25" (870 mm) | 17.125" (435 mm) | 62.625" (1591 mm) | 12" (305 mm) | 1200 (75) |
| TM162012 | 12" (300 mm) | 35.25" (895 mm) | 36.75" (933 mm) | 25.75" (654 mm) | 79.5" (2019 mm) | 13.5" (343 mm) | 3200 (202) |
| TM162016 | 16" (400 mm) | 43.25" (1098 mm) | 36.75" (933 mm) | 25.75" (654 mm) | 79.5" (2019 mm) | 15.37" (391 mm) | 3800 (240) |
| TM163016 | 16" (400 mm) | 43.25" (1098 mm) | 46.75" (1187 mm) | 25.75" (654 mm) | 89.5" (2274 mm) | 15.25" (387 mm) | 5000 (315) |
| TM163018 | 18" (450 mm) | 47.25" (1200 mm) | 46.75" (1187 mm) | 25.75" (654 mm) | 89.5" (2274 mm) | 16.25" (413 mm) | 6100 (385) |
| TM163020 | 20" (500 mm) | 49" (1245 mm) | 46.75" (1187 mm) | 25.75" (654 mm) | 89.5" (2274 mm) | 17.5" (445 mm) | 6700 (422) |

US gallon = 3.79 liters

Call one of our customer service representatives to discuss your particular application.



For inline dimensions please contact factory.