

# SUPER SHREDDER®

## Inline Disintegrator

The SUPER SHREDDER® inline disintegrator reduces tough solids entrained in pipeline systems. This unit combines world class size reduction capabilities with a streamlined, easy-to-maintain design that features only two working elements. The SUPER SHREDDER is ideal for applications requiring a heavy-duty size reduction processor that can handle high flows with minimal headloss.

The SUPER SHREDDER utilizes a low speed and high torque action to chop, grind and shred solids into fine bits that can be easily processed by downstream equipment. Its innovative open-center spherical rotor design maintains a high percentage of open area—making this unit practically invisible to the flow. In fact, it can handle higher flows than any other inline grinder available.

*Right: One piece hardfaced spherical rotor.*



**Powerful Grinding Capabilities | Finely Ground Output | High Flow Capability**  
**Low Headloss | Few Moving Parts | Hardfaced Stainless Steel Cutters**

As the rotating cutting edges precisely intermesh with stationary cutters at close clearance, solids are finely reduced with a scissor-like action. This unique design effectively handles round, even-shaped solids as well as irregular objects.



### Applications

The SUPER SHREDDER easily installs into straight-through pipe systems via 150 lb. flanges. It quickly goes to work reducing solids such as wood, rags, sludge, wipes, paper and plastics. The SUPER SHREDDER stops pumps and valves from ragging and plugging, protects filter presses from expensive punctures and incomplete dewatering and protects centrifuge operation. It can process waste sludge, agglomerates, oil solids, animal waste, paint sludge, pulp and paper, tannery waste, fish scrap, dredge and more.

## Construction



With only two cutting elements, SUPER SHREDDER construction and maintenance is greatly simplified. The cutters are constructed of stainless steel with a heavy abrasive-resistant fused coating precisely applied to all cutting surfaces. These corrosion-resistant cutters provide long dependable service without the embrittlement associated with hardened alloys. With its bidirectional cutters, wear is further reduced via automatic reversing of the unit's direction of rotation. Two convenient cartridges house the unit's seals and bearings. Each cartridge consists of a primary seal, a severe duty mechanical seal, oil seal, heavy duty tapered roller bearings and stub shaft. This seal design has proven highly dependable and easy to maintain.

## S250 Control System:

An S250 Control System monitors unit operation and automatically cycles the grinder in case of an overload condition. This industrial control panel is supplied complete with a NEMA 4X FRP enclosure, and 100,000 hour life LED indicators.



The SUPER SHREDDER in an arsenal configuration protects a major metropolitan wastewater facility.



A SUPER SHREDDER in a sludge re-circulation line.

Call one of our customer service representatives to discuss your particular application.

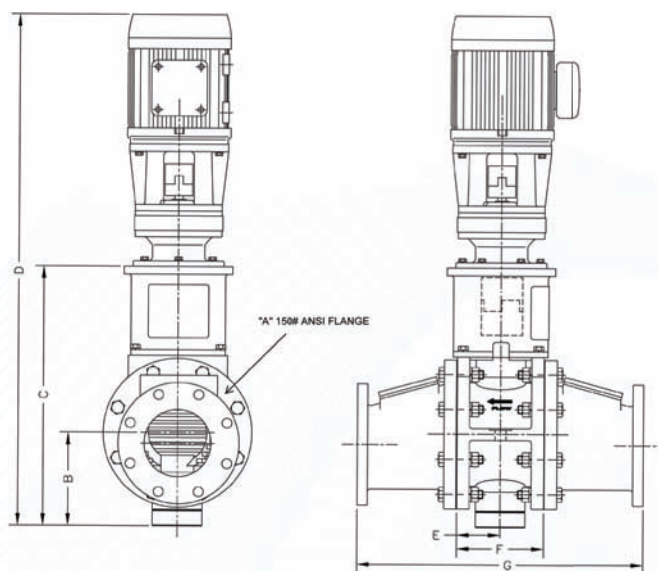
## Options

Submersible Motor | Low Flow Configuration | Guide Rails  
 All Stainless Construction | Special Purpose Seals  
 DIN Flanges | High Pressure Seals | Special Adapters

## Configurations

The SUPER SHREDDER is provided with a cylindrical interior housing to closely match the connected piping for optimized flow. A direct-coupled heavy-duty gear drive provides the unit's smooth, low-speed, high torque rotation.

A model S250 Automatic Reversing Controller is supplied with the unit that senses jam conditions and automatically reverses the bidirectional cutters. Additionally, the controller periodically reverses the operation of the unit.



Model No.	HP (kW)	A	B	C	D	E	F	G	GPM (l/s)
SS4000	3 (2.2)	4" (100 mm)	7.125" (181 mm)	19.5" (495 mm)	41.5" (1054 mm)	3.5" (89 mm)	7" (178 mm)	-	350 (22)
SS4-8000	3 (2.2)	4" (100 mm)	8.44" (214 mm)	23.75" (603 mm)	45" (1143 mm)	4" (100 mm)	8" (203 mm)	24** (610 mm)	400 (25)
SS6-8000	5 (3.7)	6" (150 mm)	8.44" (214 mm)	23.75" (603 mm)	49.25" (1251 mm)	4" (100 mm)	8" (203 mm)	26** (660 mm)	800 (50)
SS8000	5 (3.7)	8" (200 mm)	8.44" (214 mm)	23.75" (603 mm)	49.25" (1251 mm)	4" (100 mm)	8" (203 mm)	-	1200 (76)
SS1000	7.5 (5.6)	10" (250 mm)	9.125" (635 mm)	25" (232 mm)	52.875" (1343 mm)	8" (203 mm)	16" (406 mm)	-	2200 (139)
SS1200	10 (7.5)	12" (300 mm)	11.56" (294 mm)	32.125" (816 mm)	61.5" (1562 mm)	6" (305 mm)	12" (635 mm)	-	3000 (189)
SS1600	10 (7.5)	16" (406 mm)	15.31" (389 mm)	40.44" (1027 mm)	69.875" (1775 mm)	8" (203 mm)	16" (406 mm)	-	4800 (303)
SS1800	15 (11)	18" (450 mm)	16.75" (426 mm)	42.56" (1081 mm)	74.875" (1902 mm)	9" (229 mm)	18" (450 mm)	-	5700 (360)
SS2400	20 (15)	24" (600 mm)	21.625" (549 mm)	55.625" (1413 mm)	91.19" (2316 mm)	12" (300 mm)	24" (600 mm)	-	9200 (580)

US gallon = 3.79 liters